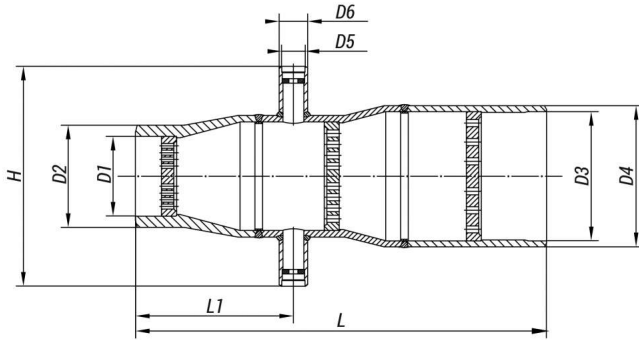


863-150/350-Ш

Production according to TR 3113-003-15365247-2009



They are directly installed behind the globe and throttle valves of PRS, PRDS and FRPRDS on vertical and horizontal pipeline sections.

Working medium flow direction: from a branch pipe of lesser diameter to a larger one.

Body material:

- steel 12X1MΦ or 15X1M1Φ at the temperatures over 450 °C;
- steel 20, 09Г2С or 15ГС at the temperatures under 450 °C.

Pipeline connection: welded connection.

Specifications

Inlet /Outlet T _p (T _{max}), MPa	Inlet /Outlet P _p (PN), MPa	DN, mm	Working Medium	d ₂ , mm	L, mm	L ₁ , mm	H, mm	D ₁ , mm	D ₂ , mm	D ₃ , mm	D ₄ , mm	D ₅ , mm	D ₆ , mm	Full Weight, kg	S ₁ , cm ²	S ₂ , cm ²	S ₃ , cm ²	S ₄ , cm ²	S ₅ , cm ²	S ₆ , cm ²
490/460	13,0/2,1	150	Steam	62	1075	575	550	170	245	345	377	62	76	215,0	69	104	192	0	0	0

Legend

S₁, S₂, S₃, S₄, S₅, S₆ - Gird Passage Area, cm²

The throttle devices of series 863, 865, 891, 950, 1040, 1041 are used as uncontrolled throttling elements of PRS, PRDS and FRPRDS.

The throttle devices DN 100/200 of series 1040 and 1041 are respectively included into the composition of steam-generating plants УПГ 50/60 and УПГ 60/160.

The table demonstrates typical throttle devices. However, the majority of throttle devices is individually designed for specific operation conditions.

Page link:

<https://en.bkzn.ru/catalog/rou-brou-ou-ru-oborudovanie/drosselnye-ustrojstva/863-150350-sh/>