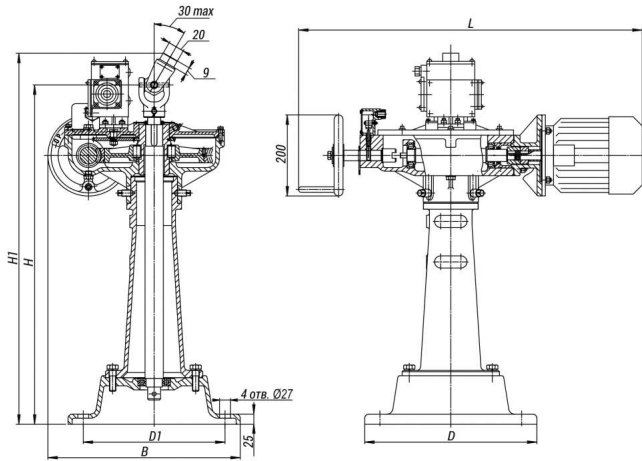


# 824-KЭ-0-04



Production according to TR  
28.14.20-006-15365247-2016

The core type electric actuators of series: 821, 822, 824, 825, 876, 1280 are intended for the remote control of isolation and control valves under operational conditions not allowing application of built-in electric actuators.

The electric actuators enable the following actions:

- Closing, opening and stopping in any intermediate position of a locking device of fittings from the control board and in manual mode.
- Automatic switching-off of the electric motor:
  - when the locking or control device achieves the established boundary positions;
  - in extreme positions and in the intermediate position at the moment of stroke of the gate element when achieving the rotational torque on the driving shaft higher than the set one.
- Local and remote indication of the locking device position.
- Electric blocking of the electric motor in case of manual control of the fittings.
- Remote signaling.

## Specifications

Applicability to Fittings	Rotational Speed, rpm	Power, kW	DN, mm	Designation - display in a group	Designation - display in the product table	L, mm	B, mm	Motor Model	H, mm	D, mm	D1, mm	H1, mm	Full Weight, kg	Updated	Torque, N*m
Control	44,3	3,2	0	0	0	955	500	AMPC100S4Y2	969	425	360	967	163	0	530

The electric actuators are controlled according to the electric circuits.

In case of manual control, the valves are closed through turning the handwheel to the right and opened through turning the handwheel to the left. The translation of motion happens through the worm gear using a roller.

Installation position:

- A built-in electric actuator shall be directly installed on the trolley of valves. It consists of a single throated worm gear, an electric motor, a hand control blocking unit and a box of limit and position switches.
- A core type electric actuator shall be installed on the mounting pole (column). It consists of a single throated worm gear, an electric motor, a hand control blocking unit, a box of limit and position switches and a joint coupling shaft.

Climatic version:

- The electric actuators for the Russian domestic supplies are intended for operation in the macroclimatic areas with a moderate (Y) climate, atmosphere type П and placement category 3 according to GOST 15150-69.
- The electric actuators for the export supplies are intended for operation in the macroclimatic areas with a moderate (Y) or tropic

(T) climate, atmosphere type П and placement category 3 according to GOST 15150-69.

**The operation conditions** in the closed premises are as follows:

- Ambient temperature: to 40 °C.
- Aerial environment: non-explosive.
- Elevation above sea level: to 1000 m.
- Relative humidity:
  - not more than 80% at 20 °C;
  - not more than 50% at 40 °C.

**In order to obtain information on the working device position:**

- Gate valves are completed with limit switches BKO-31, BKO-32 and BKO-35.
- Control valves are completed with position signaling mechanisms MСП-1-1, MСП-1-2 and MСП-1-3.

**The choice of the device** is carried out depending on the number of rotations of the spindle bushing, necessary for displacement of the shutoff or control body from one extreme position to another one.

**The choice of limit switches BKO and position signaling mechanisms MСП versions** shall be done pursuant to the below table:

### **Page link:**

<https://en.bkzn.ru/catalog/elektroprivody-ooo-bkz/kolonkovye-elektroprivody/824-ec-0-04/>