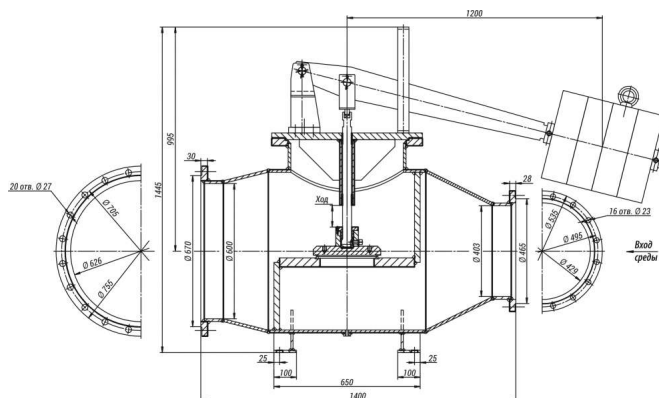


# 788-400/600-0-01



Production according to TR 3740-002-15365247-2004.

**Valve body material:** carbon steel.

**Pipeline connection:** flanged connection.

**Installation position:** on horizontal pipeline sections in the position of the rod upwards in the places convenient for maintenance.

The valve body has foot supports for the valve mounting to the building structure.

**Gate sealability:** according to class A GOST 9544-2015.

**Climatic version:** У, УХЛ, Т according to GOST 15150-69.

**Placement category:** 3 according to GOST 15150-69.

## Specifications

Maximum Torque on the Output Shaft of the Electric Actuator at ПВ =15% , N·m	Nominal Torque on the Output Shaft of the Electric Actuator at ПВ =25% , N·m	DN, mm	PN, MPa	Tmax of the Medium, °C	Body Material, Steel	Working Medium	Operating Stroke, mm	F, cm <sup>2</sup>	Maximum Steam Rate, t/h	μ, not less than	Inlet/Outlet Diameter, mm	Designation - display in a group	Designation - display in the product table	Full Weight, kg	Updated	S1, cm2	S2, cm2	Torque, N*m
0	0	400	0,25	127	20	nap	100	452	35	0,5	400/600	0	0	980	0	0	0	0

### Legend

**DN** - Nominal Diameter

**PN** - Nominal Pressure

**P** - Pressure

**Tmax** - Maximum Design Temperature

**Мкр** - Spindle Torque

**t** - Response time

**μ** - Fluid Flow Coefficient

**h** - Valve Stroke

**Kv** - Throughput Capability

**F** - Seat Area

**ζ** - Resistance Coefficient

The pressure safety valve DN 400/600 of series 788 is a direct-acting protective device.

It is installed on pipelines of reduced and cooled steam after the pressure-reducing and desuperheating stations.

### Page link:

<https://en.bkzn.ru/catalog/armatura-zashhitnaya/klapany-predoxranitelnye-serii-788/788-400600-0-01/>