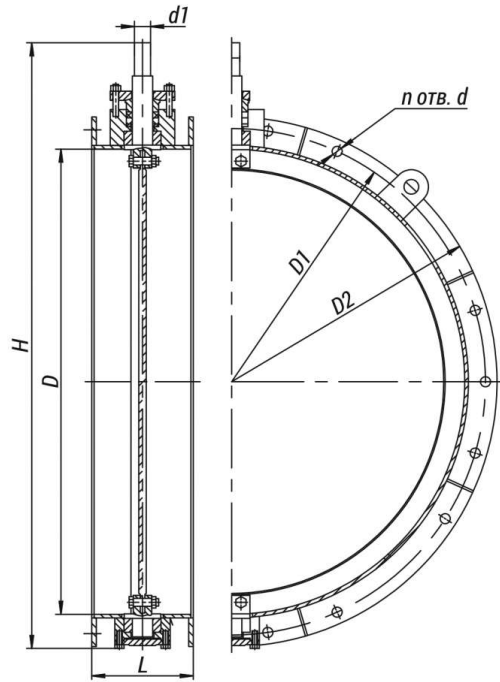


12c-8-9

Production according to TR 3740-002-15365247-2004



Pipeline connection: flanged connection.

Installation position: on horizontal and vertical pipeline sections.

Climatic version: У, УХЛ, ХЛ, Т according to GOST 15150-69.

Placement category: 2, 3 according to GOST 15150-69.

Specifications

| DN, mm | PN, MPa | Tmax of the Medium, °C | Body Material, Steel | Working Medium | Max. Pressure Differential, MPa | F, cm ² | TQ, N·m, maximum torque at spindle plug | Full Stroke Rotation Number | Designation - display in a group | Designation - display in the product table | L, mm | Designation of the electric drive | N, kW | t, sec. | H, mm | h, mm | D, mm | D1, mm | d, mm | D2, mm | n | Weight without Electric Actuator, kg | Full Weight, kg | Up dated | S1, cm ² | S2, cm ² | Torque, N·m |
|--------|---------|------------------------|----------------------|----------------|---------------------------------|--------------------|---|-----------------------------|----------------------------------|--|-------|-----------------------------------|-------|---------|-------|-------|-------|--------|-------|--------|----|--------------------------------------|-----------------|----------|---------------------|---------------------|-------------|
| 800 | 0,1 | 400 | 09Г2С | Air, gases | 40000 | 4780 | 630 | 0,25 | 0 | 0 | 220 | MЭ 0-630/25-0,25Y-92K | 0,2 | 25 | 1083 | 22 | 810 | 900 | 40 | 950 | 18 | 165 | 239 | 0 | 0 | 0 | 0 |

Legend

DN - Nominal Diameter
PN - Nominal Pressure
P - Pressure

Tmax - Maximum Design Temperature
Мкп - Spindle Torque
t - Response time
μ - Fluid Flow Coefficient

h - Valve Stroke
Kv - Throughput Capability
F - Seat Area
ζ - Resistance Coefficient

The rotary disc valves of type 12c are intended for the flow control of air and compatible stripped gases in the gas and air lines of the boiler unit.

The control is carried out through changing the area of passage section when turning the disc with the help of:

- an actuator of single-turn electric flanged actuator (MЭOΦ) type installed on the top trunnion;
- an actuator of single-turn electric actuator (MЭO) type through the lever.

The full opening of the valve corresponds to the disc turning by an angle of 90 from the closed position.

Page link:

<https://en.bkzn.ru/catalog/armatura-reguliruyushhaya/zatvory-povorotnye-diskovye-tipa-12s/12s-8-9/>