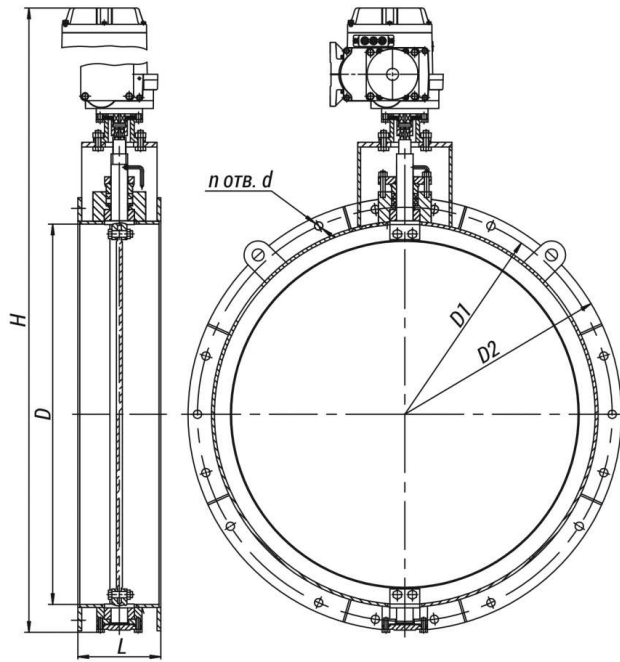


# 12c-8-153

Production according to TR 3740-002-15365247-2004



**Pipeline connection:** flanged connection.  
**Installation position:** on horizontal and vertical pipeline sections.  
**Climatic version:** У, УХЛ, ХЛ, Т according to GOST 15150-69.  
**Placement category:** 2, 3 according to GOST 15150-69.

## Specifications

DN, mm	PN, MPa	Tmax of the Medium, °C	Body Material, Steel	Working Medium	Max. Pressure Differential, MPa	F, cm <sup>2</sup>	TQ, Nm, maximum torque at spindle plug	Full Stroke Rotation Number	Designation - display in a group	Designation - display in the product table	L, mm	Designation of the electric drive	N, kW	t, c	H, mm	h, mm	D, mm	D1, mm	d, mm	D2, mm	n	Weight with Electric Actuator, kg	Full Weight, kg	Updat ed	S1, cm <sup>2</sup>	S2, cm <sup>2</sup>	Torque, N*m
1400	0,1	400	09Г2С	Air, gases	125000	14960	1600	0,25	0	0	300	МЭОФ-1600/25-0,25У-96К	0,3	25	2232	22	1410	1500	50	1550	30	505	629	0	0	0	0

### Legend

**DN** - Nominal Diameter  
**PN** - Nominal Pressure  
**P** - Pressure

**Tmax** - Maximum Design Temperature  
**Мкр** - Spindle Torque  
**t** - Response time  
**μ** - Fluid Flow Coefficient

**h** - Valve Stroke  
**Kv** - Throughput Capability  
**F** - Seat Area  
**ζ** - Resistance Coefficient

**The rotary disc valves of type 12c are intended for the flow control of air and compatible stripped gases in the gas and air lines of the boiler unit.**

**The control is carried out through changing the area of passage section when turning the disc with the help of:**

- an actuator of single-turn electric flanged actuator (MЭOΦ) type installed on the top trunnion;
- an actuator of single-turn electric actuator (MЭO) type through the lever.

The full opening of the valve corresponds to the disc turning by an angle of 90 from the closed position.

**Page link:**

<https://en.bkzn.ru/catalog/armatura-reguliruyushhaya/zatvory-povorotnye-diskovye-tipa-12s/12s-8-15e/>