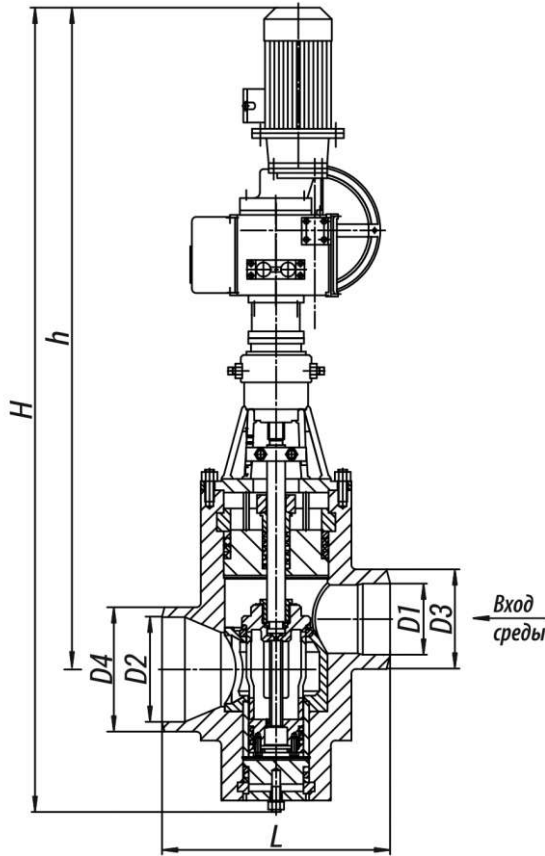


18c-2-6Э

Production according to TR 2913-001-15365247-2004



Pipeline connection: welded connection.

Climatic version: У, УХЛ, ХЛ, Т according to GOST 15150-69.

Placement category: 1, 2, 3 according to GOST 15150-69.

The valve control is carried out with the help of the following actuators:

- a single-turn electric actuator (МЭ0) through the lever;
- multi-turn built-in electric actuators with a current position sensor of single-turn electric flanged actuator (ПЭМ) type (ABS ZEIM Automation), SAR (AUMA);
- actuators of other manufacturers with standard connection units.

Specifications

| DN, mm | PN, MPa | Tmax of the Medium, °C | Body Material, Steel | Working Medium | Operating Stroke, mm | Max. Kv, m ³ /h | F, cm ² | TQ, Nm, maximum torque at spindle plug | Inlet/Outlet Diameter, mm | Type of shell | Full Stroke Rotation Number | L, mm | Designation of the electric drive | N, kW | тход, с. | H, mm | h, mm | D1, mm | D2, mm | D3, mm | D4, mm | Weight without Electric Actuator, kg | Full Weight, kg | Torque, N*m |
|--------|---------|------------------------|----------------------|----------------|----------------------|----------------------------|--------------------|--|---------------------------|---------------|-----------------------------|-------|-----------------------------------|-------|----------|-------|-------|--------|--------|--------|--------|--------------------------------------|-----------------|-------------|
| 250 | 10 | 450 | 20 | Пар | 50 | 250 | 100 | 300 | 250/300 | Проходно й | 8,0 | 500 | ПЭМ-Б5У | 1,1 | 10 | 1588 | 1328 | 244 | 303 | 273 | 325 | 397 | 438 | 0 |

Legend

DN - Nominal Diameter

PN - Nominal

Tmax - Maximum Design Temperature

Мкр - Spindle Torque

h - Valve Stroke

Kv - Throughput Capability

F - Seat Area

Pressure
P - Pressure

t - Response time
μ - Fluid Flow Coefficient

ζ - Resistance Coefficient

The special control valves of type 18c are used as controlled throttle units of FRPRDS and PRDS, as well as for the control of the working medium pressure in steam and water pipelines.

Structural designs:

- globe control valves;
- control valves.

The valves are designed and manufactured considering specific requirements of the customer to order.

Page link:

<https://en.bkzn.ru/catalog/armatura-reguliruyushhaya/klapany-speczialnye-18s/18s-2-6e/>