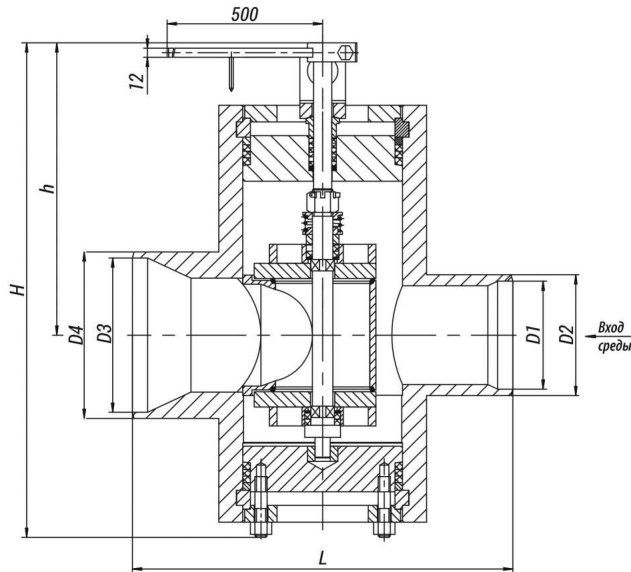


# 18c-2-4-4

Production according to TR 2913-001-15365247-2004



**Pipeline connection:** welded connection.

Climatic version: У, УХЛ, ХЛ, Т according to GOST 15150-69.

**Placement category:** 1, 2, 3 according to GOST 15150-69.

**The valve control is carried out with the help of the following actuators:**

- a single-turn electric actuator (МЭ0) through the lever;
- multi-turn built-in electric actuators with a current position sensor of single-turn electric flanged actuator (ПЭМ) type (ABS ZEIM Automation), SAR (AUMA);
- actuators of other manufacturers with standard connection units.

## Specifications

DN, mm	PN, MPa	Tmax of the Medium, °C	Body Material, Steel	Working Medium	Max. Kv, m <sup>3</sup> /h	F, cm <sup>2</sup>	TQ, N·m, maximum torque at spindle plug	Inlet/Outlet Diameter, mm	Type of shell	Full Stroke Rotation Number	L, mm	Designation of the electric drive	N, kW	t <sub>ход</sub> , с.	H, mm	h, mm	D1, mm	D2, mm	D3, mm	D4, mm	Weight with out Electric Actuator, kg	Full Weight, kg	Torque, N·m
150	2,5*	450	20	Вода-пар	300	74	280	150/200	Пролоходной	0,25	500	МЭ0-250/25-0,25У-99К	0,25	25	650	385	142	159	203	219	202	229,5	0

### Legend

**DN** - Nominal Diameter  
**PN** - Nominal Pressure  
**P** - Pressure

**Tmax** - Maximum Design Temperature  
**Мкв** - Spindle Torque  
**t** - Response time  
**μ** - Fluid Flow Coefficient

**h** - Valve Stroke  
**Kv** - Throughput Capability  
**F** - Seat Area  
**ζ** - Resistance Coefficient

The special control valves of type 18c are used as controlled throttle units of FRPRDS and PRDS, as well as for the control of the working medium pressure in steam and water pipelines.

**Structural designs:**

- globe control valves;
- control valves.

The valves are designed and manufactured considering specific requirements of the customer to order.

**Page link:**

<https://en.bkzn.ru/catalog/armatura-reguliruyushhaya/klapany-speczialnye-18s/18c-2-4-4/>