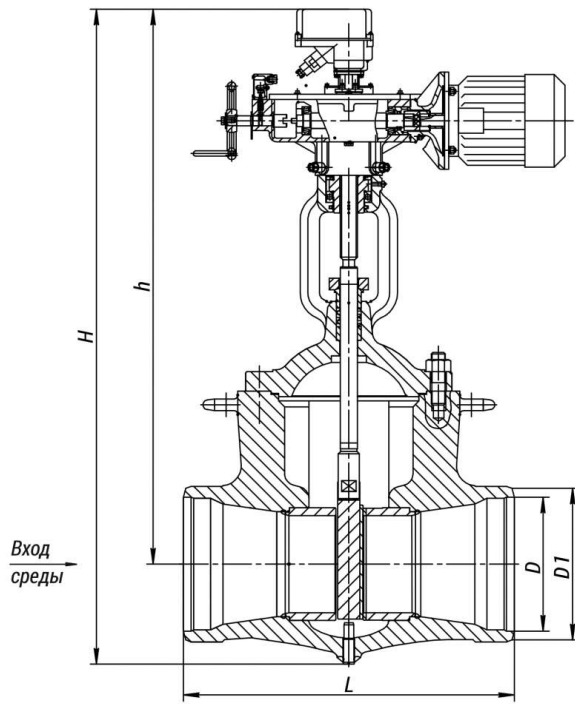


# 533-350-Э-01



Production according to TR 3740-002-15365247-2004

**Installation position:** on horizontal and vertical pipeline sections with the medium direction from the top downward.

**Pipeline connection:** welded connection.

**Climatic version:** У, УХЛ, ХЛ, Т according to GOST 15150-69.

**Placement category:** 2, 3 according to GOST 15150-69. The valve control is carried out with the help of multi-turn built-in electric actuators with a current position sensor.

## Specifications

| DN, mm | Pp, MPa | Tmax of the Medium, °C | Body Material, Steel | Working Medium | Operating Stroke, mm | F, cm <sup>2</sup> | TQ, N·m, maximum torque at spindle plug | L, mm | Designation of the electric drive | N, kW | t хода, с. | H, mm | h, mm | D, mm | D1, mm | Weight without Electric Actuator, kg | Full Weight, kg | Torque, N·m |
|--------|---------|------------------------|----------------------|----------------|----------------------|--------------------|---|-------|-----------------------------------|-------|------------|-------|-------|-------|--------|--------------------------------------|-----------------|-------------|
| 350    | 4,0     | 545                    | 15X1 М1Ф Л           | Пар            | 21,0                 | 490                | 510,0                                   | 850   | 793-Э P-0                         | 3,2   | 60         | 1690  | 1445  | 345   | 390    | 918                                  | 1026            | 0           |

### Legend

**DN** - Nominal Diameter

**PN** - Nominal Pressure

**P** - Pressure

**Tmax** - Maximum Design Temperature

**Mкр** - Spindle Torque

**t** - Response time

**μ** - Fluid Flow Coefficient

**h** - Valve Stroke

**Kv** - Throughput Capability

**F** - Seat Area

**ζ** - Resistance Coefficient

The slide control valves are used at heat power engineering sites for the control of the working medium flow or pressure. The control is performed by means of changing the passage area, which is achieved through translational movement of the slide gate.

The maximum pressure differential on the valve is limited.

**Page link:**

<https://en.bkzn.ru/catalog/armatura-reguliruyushhaya/klapany-shibernye/533-350-e-01/>