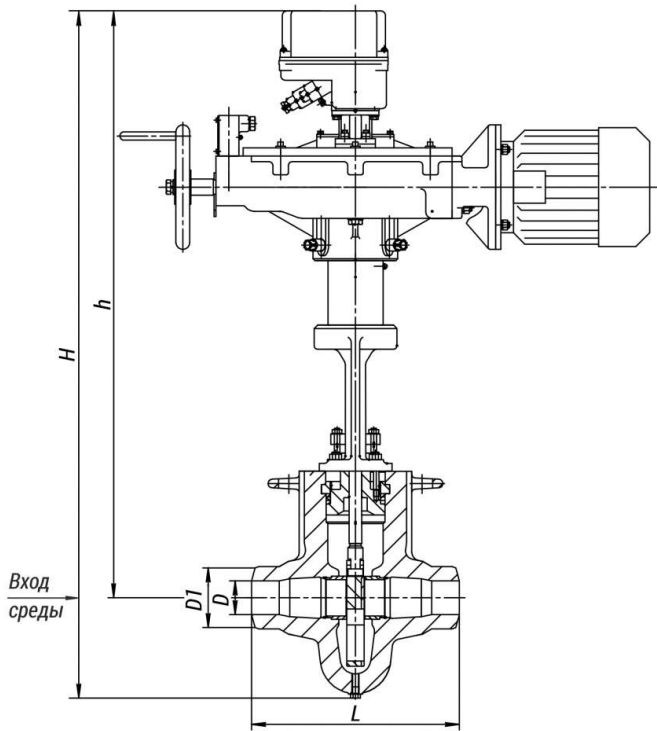


# 1233-100-ЭЧ



Production according to TR 3740-002-15365247-2004

**Installation position:** on horizontal and vertical pipeline sections with the medium direction from the top downward.

**Pipeline connection:** welded connection.

**Climatic version:** У, УХЛ, ХЛ, Т according to GOST 15150-69.

**Placement category:** 2, 3 according to GOST 15150-69.

The valve control is carried out with the help of multi-turn built-in electric actuators with a current position sensor.

## Specifications

DN, mm	Pp, MPa	Tmax of the Medium, °C	Body Material, Steel	Working Medium	Operating Stroke, mm	F, cm <sup>2</sup>	TQ, N•m, maximum torque at spindle plug	L, mm	Designation of the electric drive	N, kW	t хода, с.	H, mm	h, mm	D, mm	D1, mm	Weight without Electric Actuator, kg	Full Weight, kg	Torque, N•m
100	25,0	545	15X1M 1ФЛ	Пар	16	30,0	530	600	ПЭМ-В35-10 00-25-36У	2,2	38	2352	2060	97	172	415	492	0

### Legend

**DN** - Nominal Diameter    **Tmax** - Maximum Design Temperature  
**PN** - Nominal Pressure    **Kv** - Throughput Capability  
**P** - Pressure                **Mkp** - Spindle Torque  
**t** - Response time         **F** - Seat Area  
**μ** - Fluid Flow Coefficient    **ζ** - Resistance Coefficient  
**h** - Valve Stroke

The slide control valves are used at heat power engineering sites for the control of the working medium flow or pressure. The control is performed by means of changing the passage area, which is achieved through translational movement of the slide gate.

The maximum pressure differential on the valve is limited.

### Page link:

<https://en.bkzn.ru/catalog/armatura-reguliruyushhaya/klapany-shibernye/1233-100-ech/>