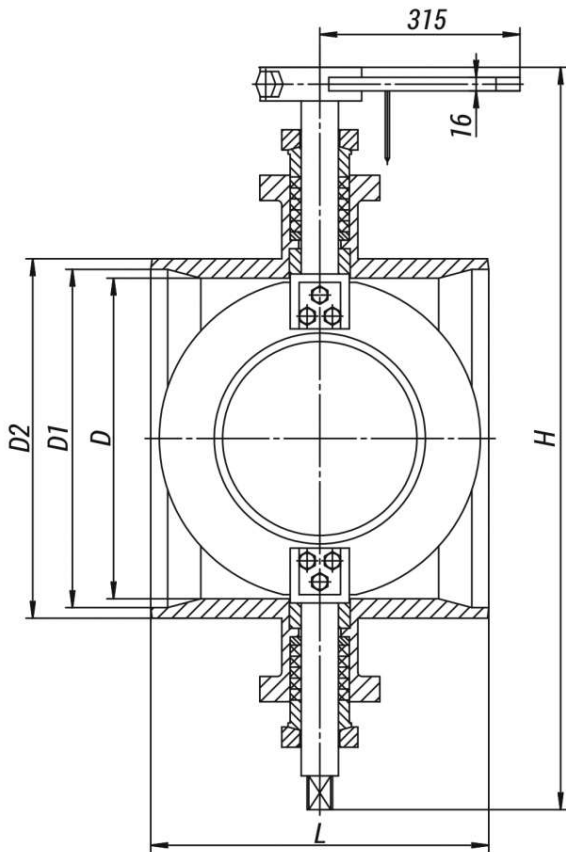


12c-1-1



Pipeline connection: welded connection.

The maximum pressure differential on the valve is limited.

Installation position: on horizontal and vertical pipeline sections.

Climatic version: У, УХЛ, ХЛ, Т according to GOST 15150-69.

Placement category: 2, 3 according to GOST 15150-69.

The valves are controlled through a quarter-turn actuator with a current position sensor of single-turn electric actuator (MЭO) and single-turn electric flanged actuator (MЭOФ) types (ABS ZEIM Automation, OJSC, Cheboksary) etc.

Specifications

DN, mm	PN, MPa	Tmax of the Medium, °C	Body Material, Steel	Working Medium	Max. Pressure Differential, MPa	F, cm ²	TQ, N·m, maximum torque at spline plug	Full Stroke Rotation Number	Designation - display in a group	Designation - display in the product table	L, mm	Designation of the electric drive	N, kW	т х о да, с.	H, mm	D, mm	D1, mm	D2, mm	Weight without Electric Actuator, kg	Full Weight, kg	Updated	S1, cm 2	S2, cm 2	Torque, N·m
450	2,75*	340	20	Steam	0,25	1290	10400	0,25	0	0	400	MЭO-630/25-0,25Y-92K	0,2	25	920	430	437	465	126	200	0	0	0	0

Legend

DN - Nominal

Tmax - Maximum

h - Valve Stroke

Diameter	Design Temperature	Kv - Throughput Capability
PN - Nominal Pressure	Mкр - Spindle Torque	F - Seat Area
P - Pressure	t - Response time	ζ - Resistance Coefficient
	μ - Fluid Flow Coefficient	

The control valves with butterfly dampers of type 12c are intended for the flow control of water steam, gas and air.

The control is carried out by means of changing the area of passage section between the body and the butterfly damper when turning it. The full opening of the valve corresponds to the lever turning by an angle of 75 from the closed position.

Page link:

<https://en.bkzn.ru/catalog/armatura-reguliruyushhaya/klapany-s-povorotnoj-zaslonkoj-tipa-12s/12s-1-1/>