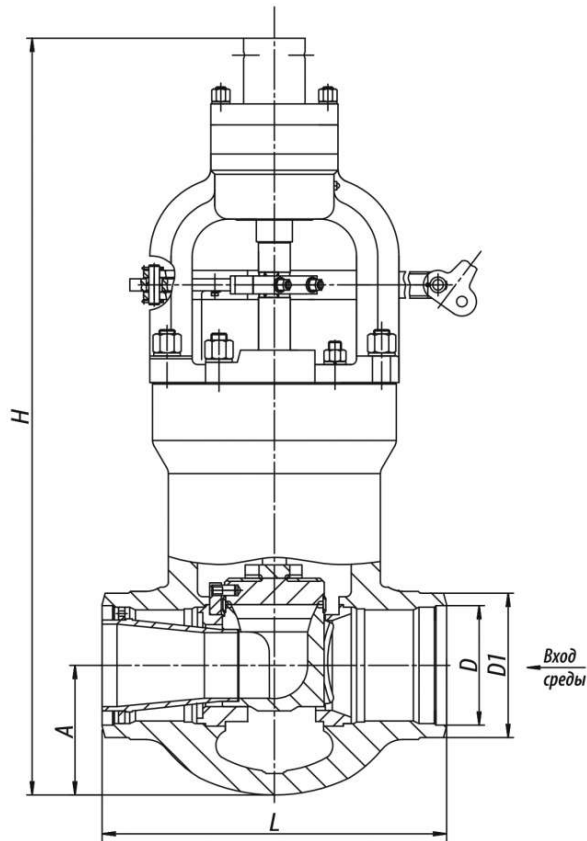


1416-175-P-02



Specifications

| DN, mm | Pp, MPa | Tmax of the Medium, °C | Body Material, Steel | Working Medium | Max. Kv, m³/h | Max. Pressure Differential, MPa | TQ, N·m, maximum torque at spindle plug | L, mm | Designation of the electric drive | N, kW | t хода, с. | H, mm | D, mm | D1, mm | A, mm | Weight without Electric Actuator, kg | Full Weight, kg | Torque, N·m |
|--------|---------|------------------------|----------------------|----------------|---------------|---------------------------------|---|-------|-----------------------------------|-------|------------|-------|-------|--------|-------|--------------------------------------|-----------------|-------------|
| 175 | 23,5 | 250 | 15ГC | Вода | 77 | 17,6 | 1600 | 650 | MЭ0-1600/25-0, 25Y-9 2K | 0,49 | 25 | 1270 | 182 | 230 | 231 | 614 | 749 | 0 |

Legend

DN - Nominal Diameter

PN - Nominal Pressure

P - Pressure

Tmax - Maximum Design Temperature

Mкp - Spindle Torque

t - Response time

μ - Fluid Flow Coefficient

h - Valve Stroke

Kv - Throughput Capability

F - Seat Area

ζ - Resistance Coefficient

Page link:

<https://en.bkzn.ru/catalog/armatura-reguliruyushhaya/klapany-razgruzhennye-1416/1416-175-r-02/>