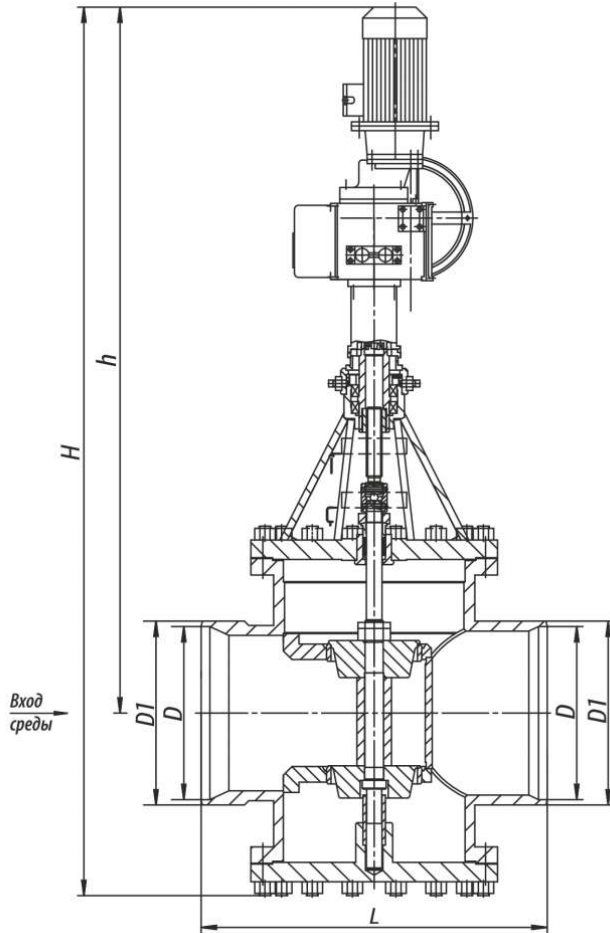


# 14c-73-25Э

Production according to TR 3740-002-15365247-2004



Pipeline connection: welded connection.  
 Climatic version: У, УХЛ, ХЛ, Т according to GOST 15150-69.  
 Placement category: 2, 3 according to GOST 15150-69.  
 Depending on the lifting height of the spool, the throughput capability is shown in the diagram 26.

## Specifications

DN, m m	PN, MP a	Tmax of the Medium, °C	Body Material, Steel	Working Medium	Operating Stroke, m m	Max. Pressure Differential, MP a	F, cm <sup>2</sup>	TQ, N·m, maximum torque at spindle plug	Inlet/Outlet Diameter, m m	Full Stroke Rotation Number	Designation - display in a group	Designation - display in the product table	L, m m	Designation of the electric drive	N, kW	txoдa, c.	H, m m	h, m m	D, m m	D1, m m	Weight without Electric Actuator, kg	Full Weight, kg	Updated	S1, cm 2	S2, cm 2	Torque, N* m
300	2,5	425	20	вода-пар	120	1585	450	2500	300/300	20	0	0	800	ПЭМ-Б2У	0,55	48	2042	1626	303	325	626	667	0	0	0	0

Legend

**DN** - Nominal  
Diameter  
**PN** - Nominal  
Pressure  
**P** - Pressure

**Tmax** - Maximum  
Design Temperature  
**Mкр** - Spindle Torque  
**t** - Response time  
**μ** - Fluid Flow Coefficient

**h** - Valve Stroke  
**Kv** - Throughput Capability  
**F** - Seat Area  
**ζ** - Resistance Coefficient

The double seat control valves of type 14c are intended for the control of the working medium flow or pressure. The control is carried out with the help of changing the passage area by means of translational movement of the double seat spool. They are not used as shutoff devices.

The control of the control valves of type 14c is carried out with the help of a multi-turn built-in electric actuator with a current position sensor of the following types:

- ПЭМ-Б2У (ABS ZEIM Automation);
- SAR (AUMA);
- upon the customer's demand.

**Page link:**

<https://en.bkzn.ru/catalog/armatura-reguliruyushhaya/klapany-dvuxsedelnye-14s/14s-73-25e/>